

4th Indo-European Conference on Standards & Emerging Technologies

7th December 2023 | The LaLiT, New Delhi, India

THE ROLE OF ONEM2M ENABLER FOR SMART CITIES

Roland Hechwartner, oneM2M TP Chair, Deutsche Telekom

roland.hechwartner@magenta.at

Smart Cities: Use IoT Technologies to Improve the Quality of Life for Citizens



- various devices and sensors
- installed throughout the urban landscape to create
- intelligent transportation systems
- smart grids
- public safety systems

Source: Statista Market Insights 2023



Crucial Aspects in Smart Data usage



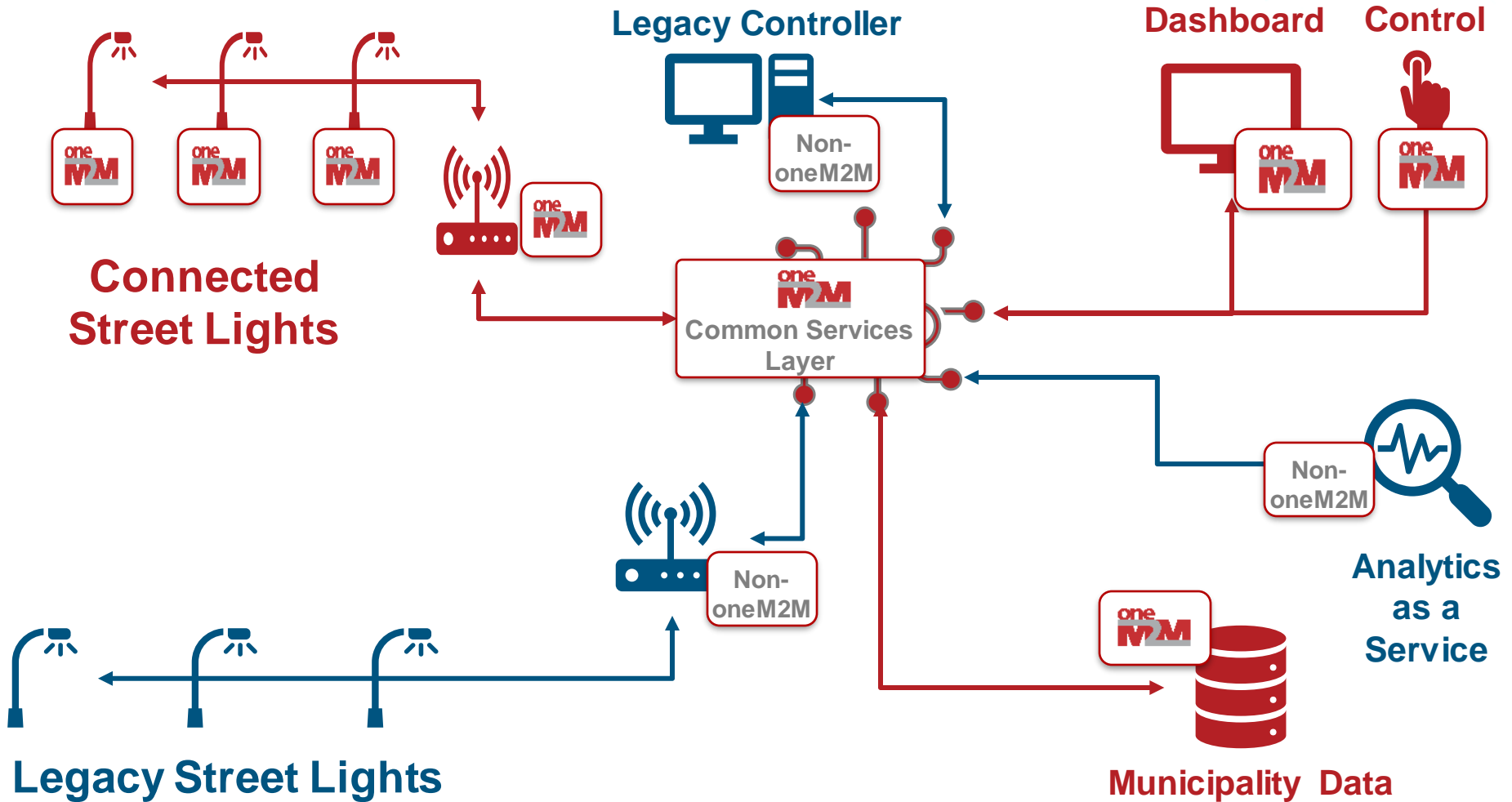
- acceptance
- scalability
- interoperability
- security
- sustainability

➤ An ecosystem based on open standards and certification programs is expected to be essential for the acceptance and wide adoption



The Role of oneM2M for Smart Cities

oneM2M links distributed components and technologies in e2e IoT systems



oneM2M Key-Events Timeline

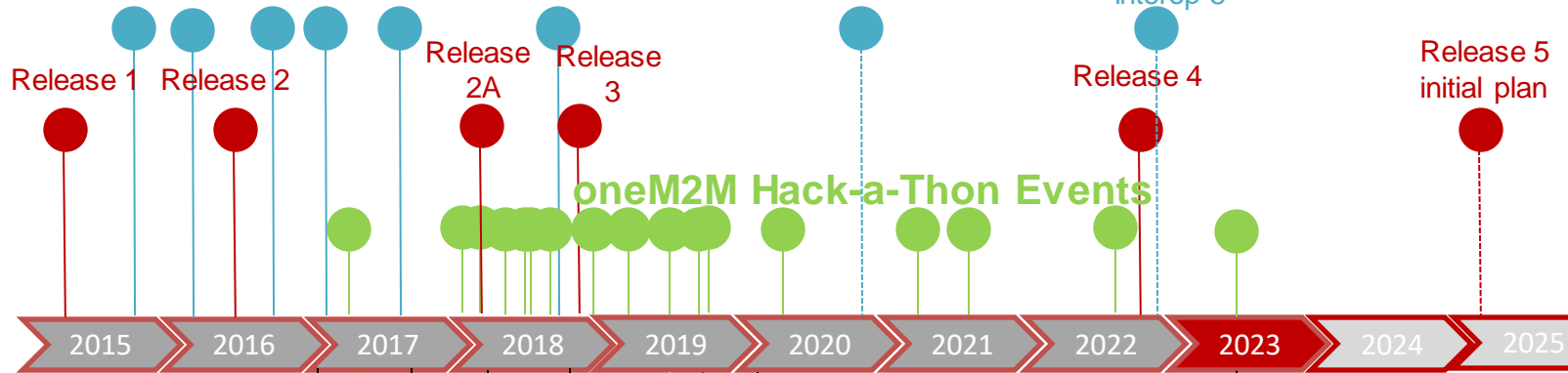


Transposition to
ITU-T SG20 Y.4500.x



Academia Relation
Group

Interoperability Events



2012

oneM2M Partnership Project established

Industry Day 1
Industry Day 2
Industry Day 3
Industry Day 4

Industry Day 5
oneM2M WS & Developers Training

oneM2M White Paper IoT for Sustainability

oneM2M White Paper How oneM2M is Enabling More Sustainable IoT Deployments

oneM2M & ETSI ISG MEC White Paper Enabling Multi-access Edge Computing in IoT: How to deploy ETSI MEC and oneM2M



oneM2M Certification launch

oneM2M Certification launch

oneM2M Sustainable IoT Features

IoT Digital Twins	IoT Message Profiles	IoT Device Triggering	IoT Event Processing
IoT Time Synchronisation & Compensation	IoT Group Management	IoT Interworking	IoT Scheduling & Throttling



4th Indo-European Conference on Standards & Emerging Technologies
7th December 2023 | The LaLiT, New Delhi, India



oneM2M Future Feature development



Release 5

Studies, Use Case and Requirements development

- AI enablement
- Support of Data Protection Regulations
- Support of Data License Management
- Smart City and Enterprise domain enablement enhancement
- Enhanced Public Warning Service Enabler
- Information Model enhancements – SDT4.0
- Additional Interworkings (e.g. OGC's Sensor Thing API)
- Advanced Semantic Discovery
- Effective IoT Communication to Protect 3GPP Networks (cont'd)
- Enablement of IoT in the Metaverse

TECHNICAL REPORTS

REQUIREMENTS
TS-0002

TECHNICAL SPECS



Executive Viewpoints

<https://www.onem2m.org/membership/executive-viewpoints>



"oneM2M provides a very solid architectural foundation in terms of interfaces and data structures. It is built for interoperability and is very flexible."

Andre Dutra, Deutsche Telekom



"Using oneM2M, our data hub collects and links data for a hundred different services. We plan to export it to other local governments."

Seon-woo Yi, nTels



"oneM2M has been evolving continually and solutions to common problems faced by the IoT industry are incorporated quickly in its specifications."

Anupama Chopra, C-DOT



"We rewrote our proprietary system to use oneM2M's open standard and now operate at scale, meeting over 99% of our customers' reporting metrics and delivering over 3 billion meter reads daily"

Ray Bell, Aetheros



THANK YOU



Roland Hechwartner, oneM2M TP Chair

roland.hechwartner@magenta.at



4th Indo-European Conference
on Standards & Emerging Technologies

7th December 2023 | The LaLiT, New Delhi, India



**one
M2M**

For more information ...



visit www.oneM2M.org

Executive Viewpoints - <https://onem2m.org/insights/executive-viewpoints>

oneM2M in the News - <https://onem2m.org/news-events/newsmenu/onem2m-in-the-news>

Technical Specifications - <https://onem2m.org/technical/published-drafts>

List of open source projects - https://wiki.onem2m.org/index.php?title=Open_Source



4th Indo-European Conference
on Standards & Emerging Technologies

7th December 2023 | The LaLiT, New Delhi, India



one
M2M